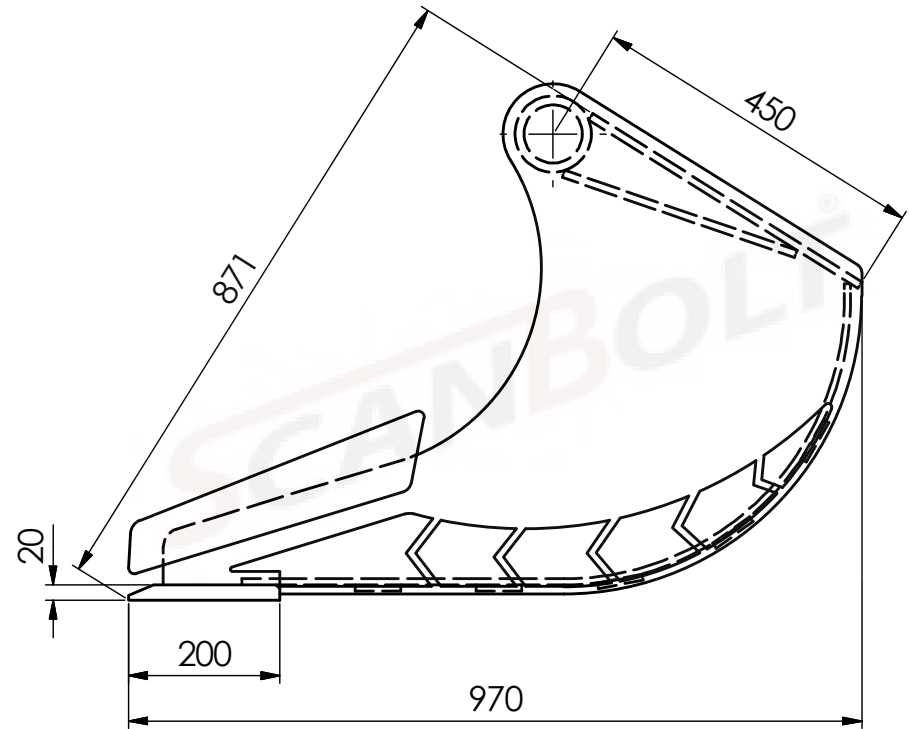
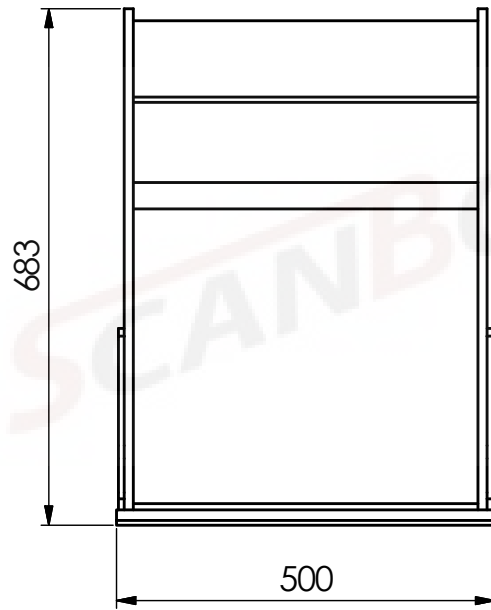
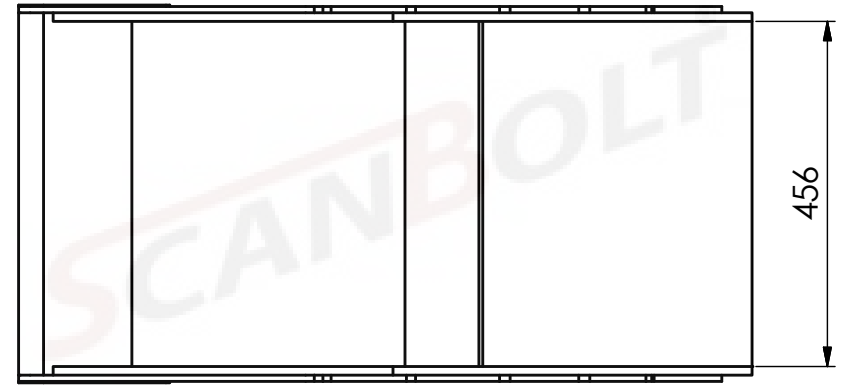
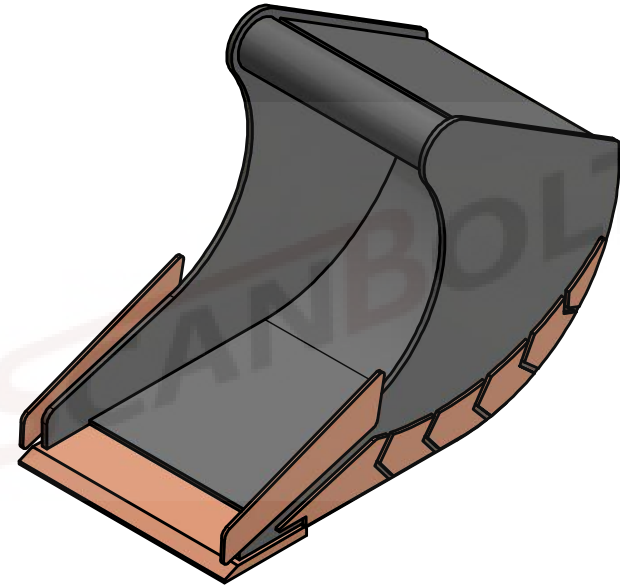


8 7 6 5 4 3 2 1



MATERIAL SPECIFICATION

ST52.3
EN8D
HB 400
HB 450
CASTALLOY STEEL

**SCANBOLT®**

DESCRIPTION	50CM DIGGING BUCKET
MACHINE CLASS	7.5-10 TON
WEIGHT	163.3 Kg
HEAPED CAPACITY	184.4 LITERS

8 7 6 5 4 3 2 1